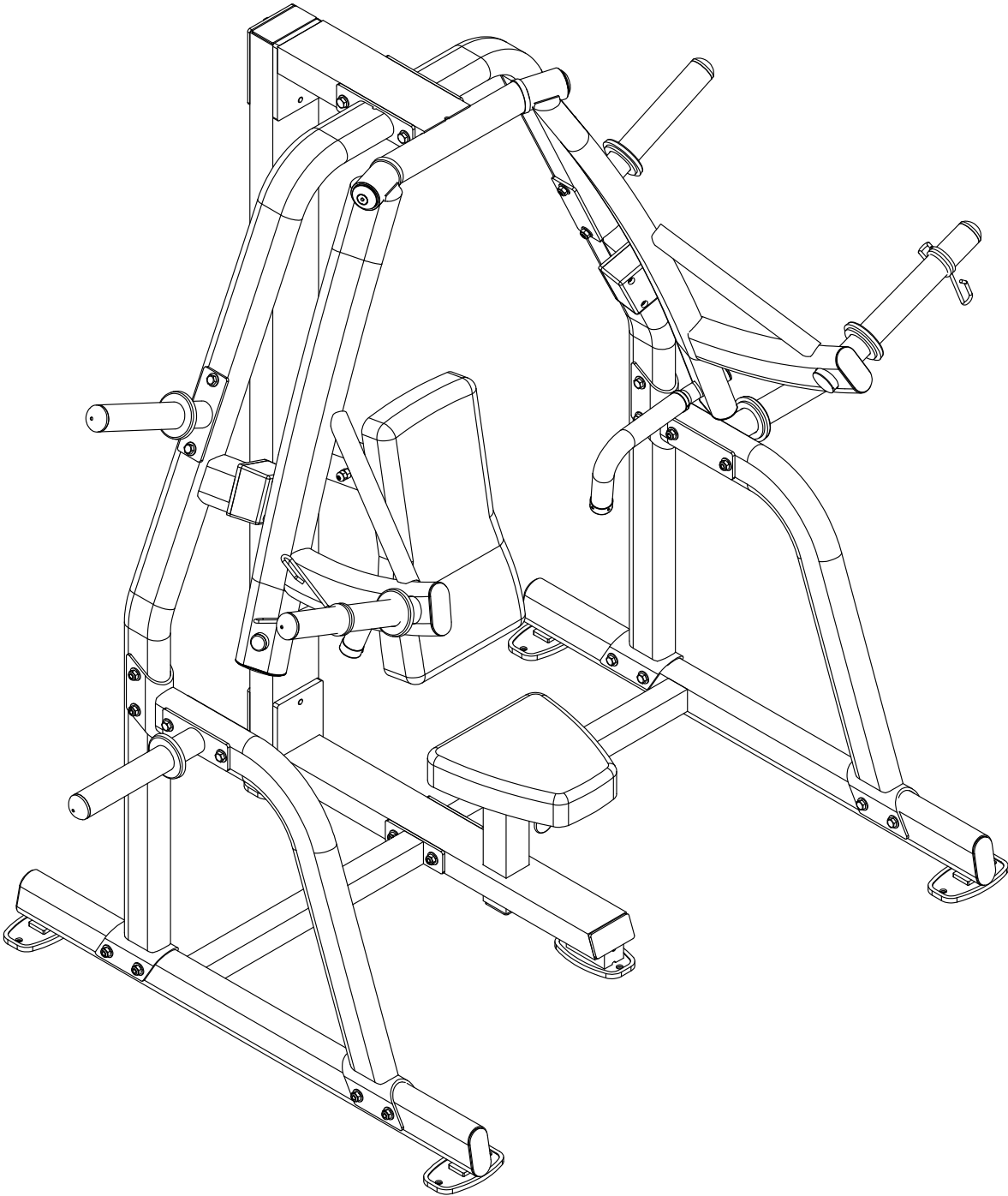




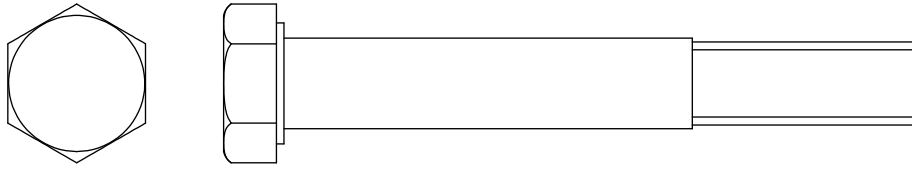
PSBP.1



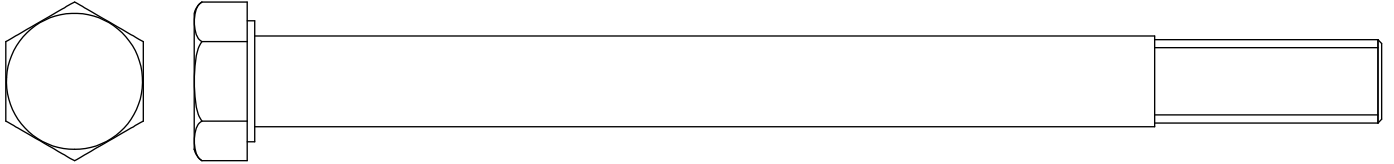
Assembly & Instructions
OWNER'S & MANUAL

PSBP.1 HARDWARE
(shown in actual size)

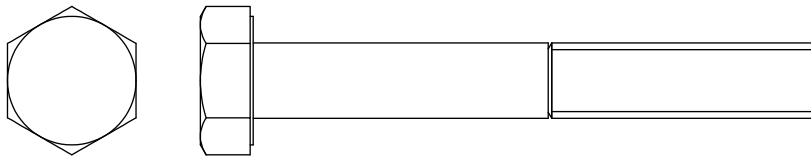
A1. M12X85L HEX HEAD SCREW...4PCS



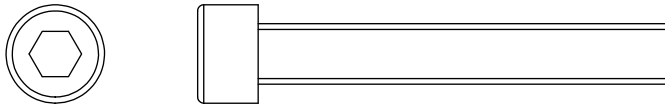
A2. M12X150L HEX HEAD SCREW...2PCS



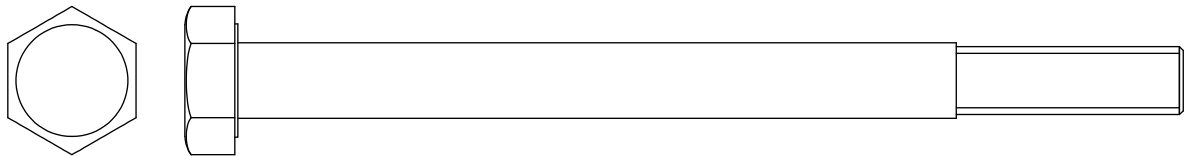
A3. M10X75L HEX HEAD SCREW...20PCS



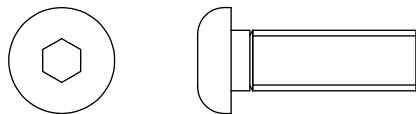
A4. M8X55L SOCKET SCREW...8PCS



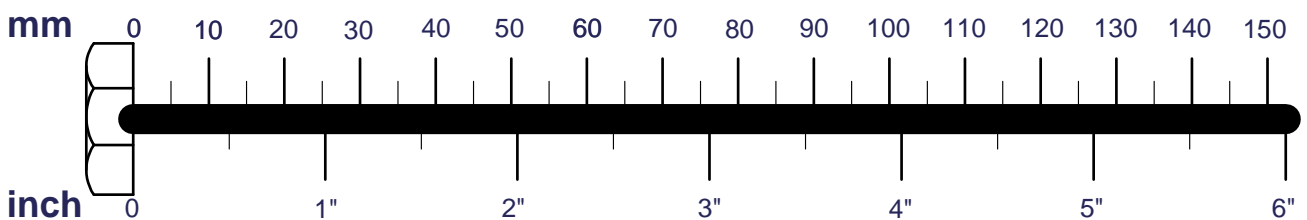
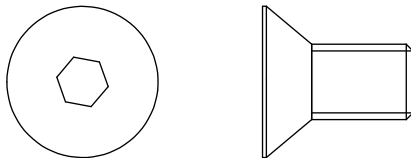
A5. M10X125L HEX HEAD SCREW...2PCS



A6. M8X25L ALLEN SCREW ...7PCS

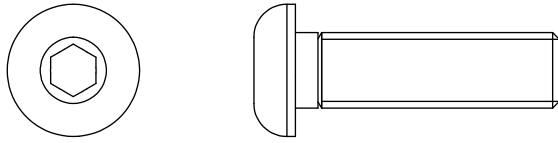


A7.M10X20 TAPER SCREW...2PCS



PSBP.1 HARDWARE
(shown in actual size)

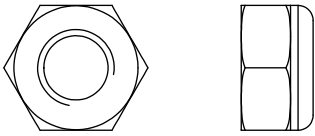
A8. M10X30L ALLEN SCREW ...2PCS(Pre-installed)



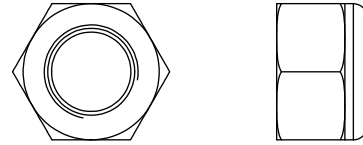
A9. M5X5L GRUB SCREW ...8PCS(Pre-installed)



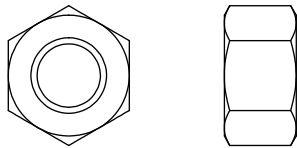
B1.M10 NYLON LOCK NUT...22PCS



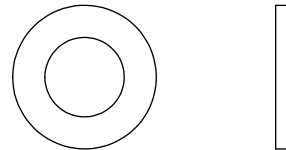
B2.M12 NYLON LOCK NUT...2PCS



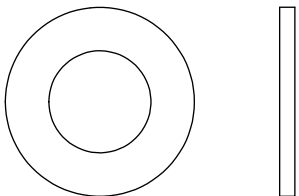
B3.M10 LOCK NUT...2PCS(Pre-installed)



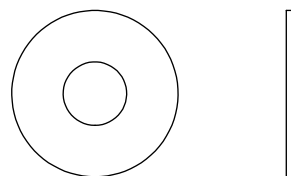
C1.M10 WASHER (Ø19)...44PCS



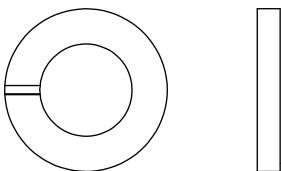
C2.M12 WASHER (Ø25)...8PCS



C3.M8 WASHER (Ø22)...7PCS



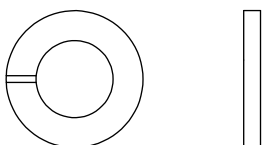
C4.M12 SPRING WASHER ...4PCS



C5.M8 SPRING WASHER ...7PCS

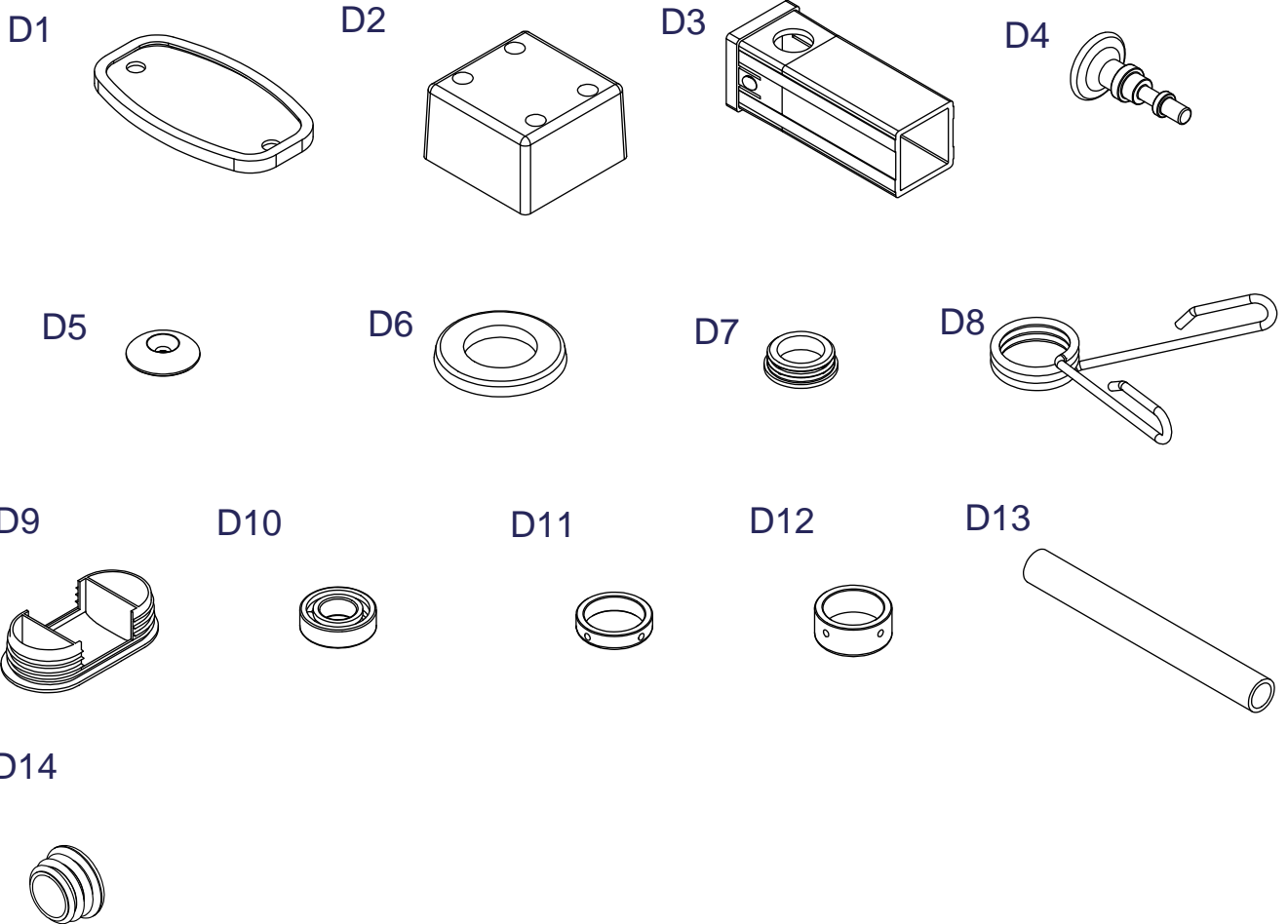


C6.M10 SPRING WASHER ...2PCS



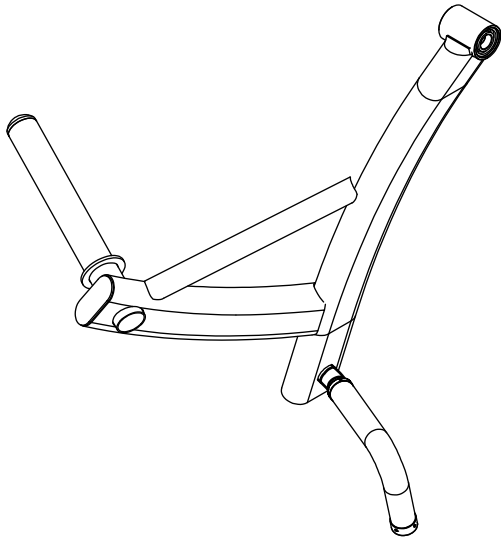
PSBP.1 HARDWARE
(shown in actual size)

D1.Rubber Insert (9310-076).....	[6PCS]
D2.Block Rubber (9310-131).....	[2PCS]
D3.Nylon Bushing (9211-047).....	[2PCS]
D4.1/2"X38 Pop Pin (8250-065G) pre-installed.....	[2PCS]
D5.End Closure (8130-131).....	[2PCS]
D6.Rubber Dount (9310-016).....	[6PCS]
D7.Ø50 End Cap (9211-020).....	[2PCS]
D8.Pinch Cock (OC-06).....	[2PCS]
D9.50X100 End Cap (9211-193).....	[2PCS]
D10.Bearing (8510-037) pre-installed.....	[4PCS]
D11.Chrone Collar (8130-287) pre-installed.....	[2PCS]
D12.Chrone Collar (8890-048) pre-installed.....	[2PCS]
D13.Impregnated With Handle (9162-208) pre-installed.	[2PCS]
D14.End Cap (9211-169).....	[2PCS]

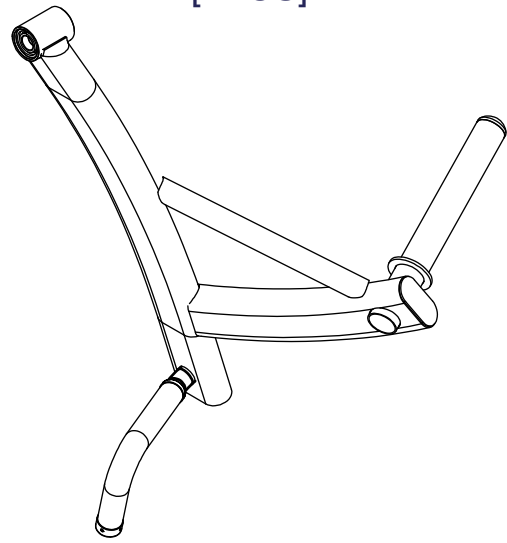


PSBP.1 HARDWARE
(shown in actual size)

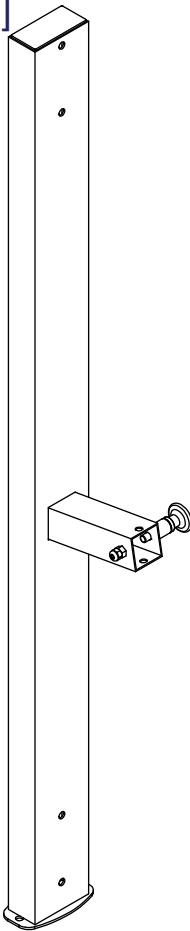
A[1PCS]



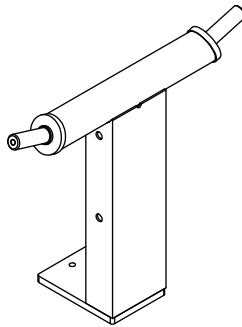
B[1PCS]



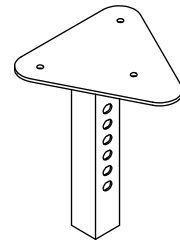
C[1PCS]



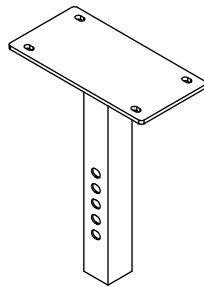
D[1PCS]



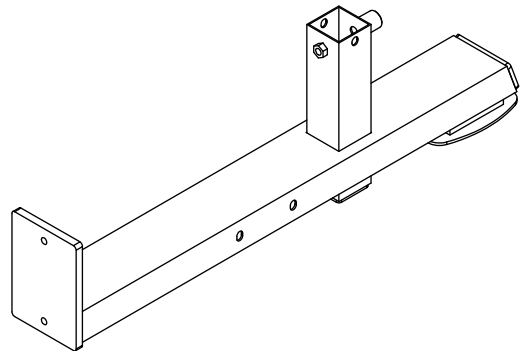
E[1PCS]



G[1PCS]

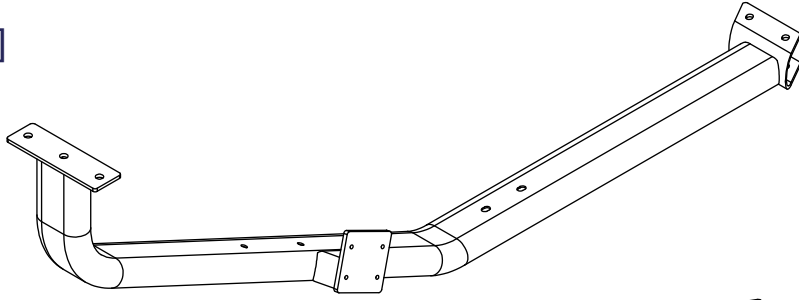


H[1PCS]

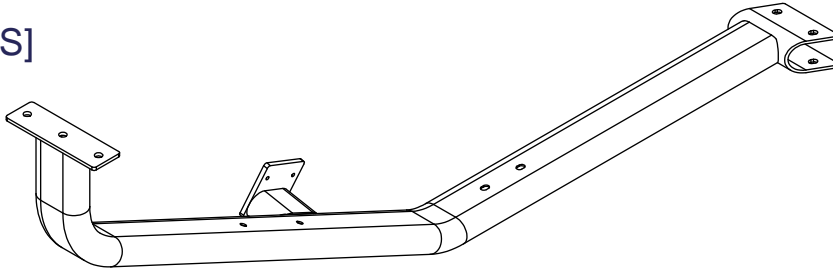


PSBP.1 HARDWARE
(shown in actual size)

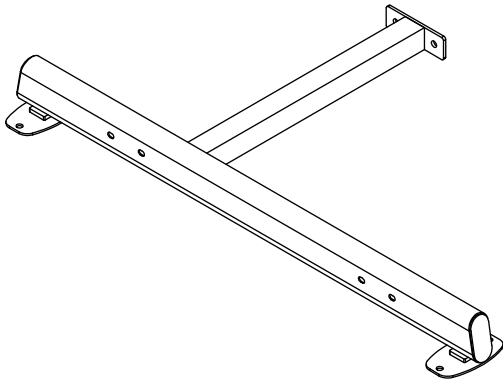
K[1PCS]



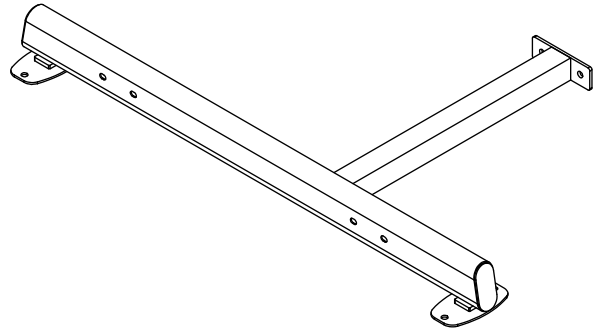
L[1PCS]



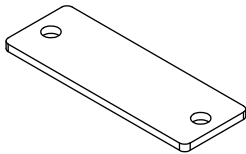
F[1PCS]



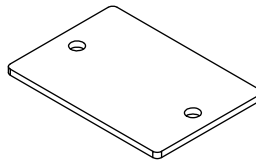
I[1PCS]



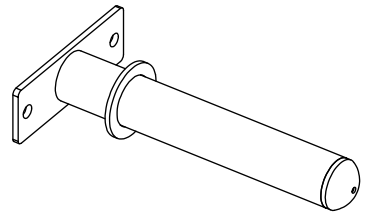
O[4PCS]
8313-235



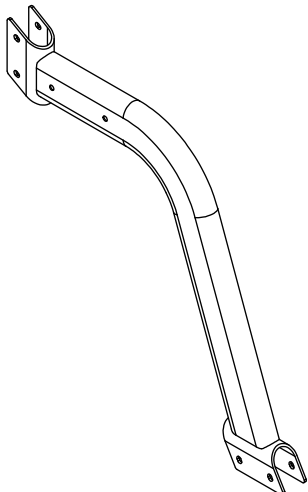
P[2PCS]
8313-250



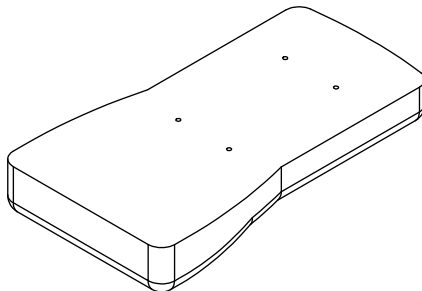
N[4PCS]



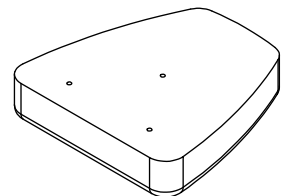
M[2PCS]



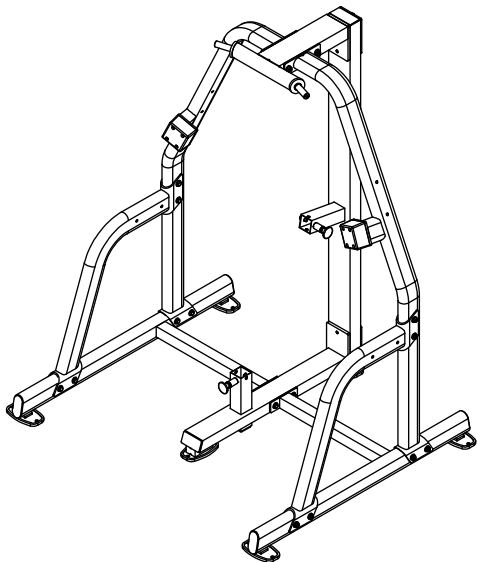
R[1PCS]
9111-105



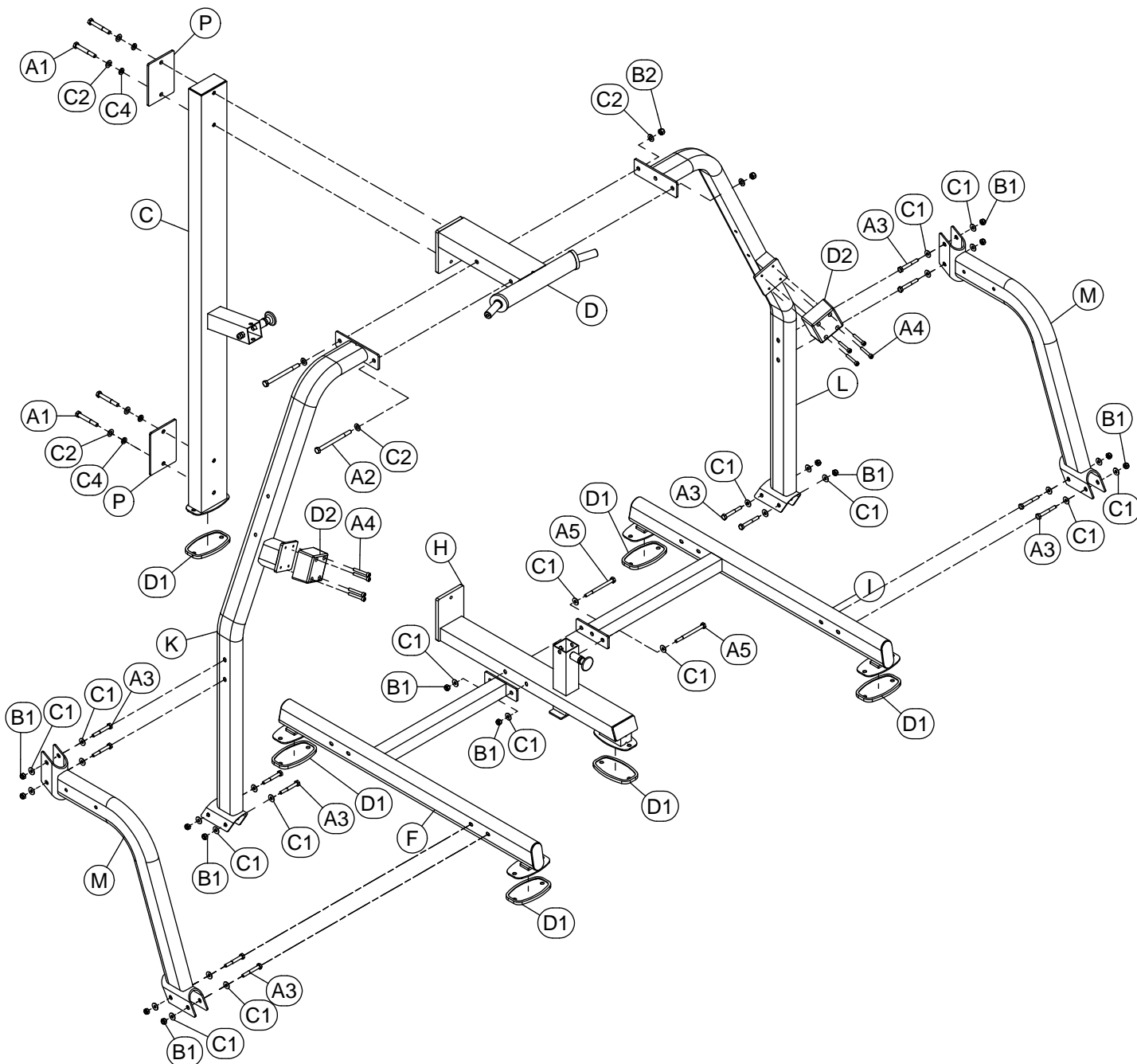
S[1PCS]
9121-116

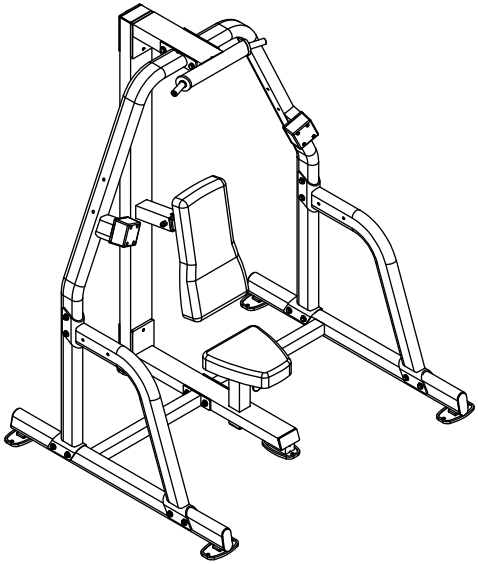


STEP
1

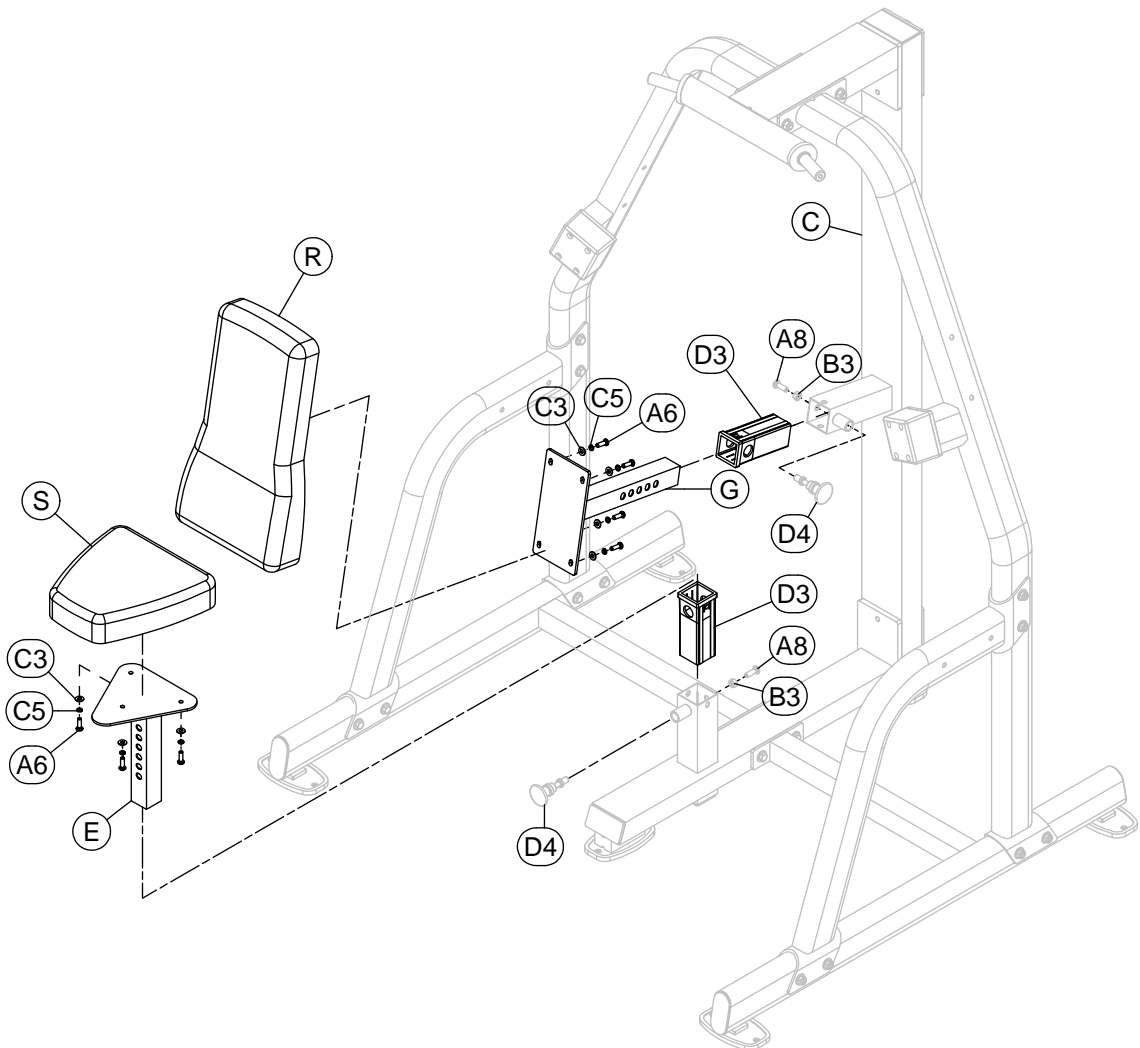


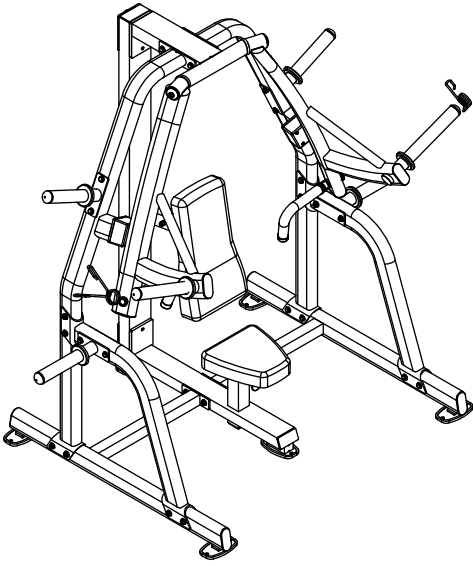
Above shows STEP 1 assembled and completed



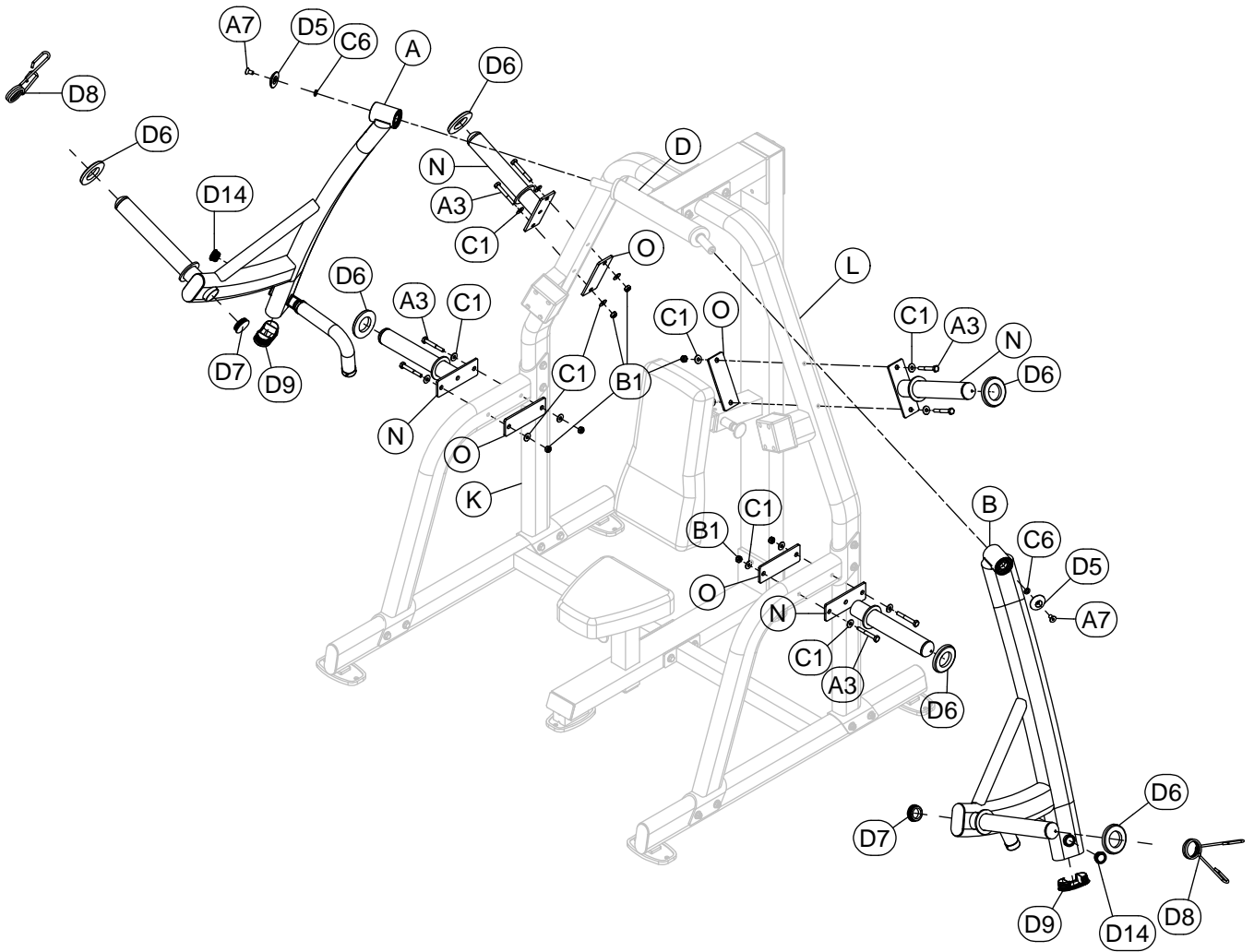


Above shows STEP 2 assembled and completed





Above shows STEP 3 assembled and completed



PSBP.1

